



Parts

Diagnosis 222

Temporary Filling Carrier

Periodontics 222

Sharpener

Conservative Treatment 222

Composite Syringe / Clamp Forceps / Rubber Dam Kit /
Endodontic Aspirator / Fiber Cutter

Surgery 224

Mallet / Injection Cartridge Syringe /
Jaw Opening Trainer

Implantology 225

Bone Mill / Parallel Meter

Prosthetics 226

Crown Removing Pliers / Agar Syringe /
Contact Gauge / Crown Splitting Pliers

Laboratory Techniques 228

Spacy Articulator / Face Bow /
Unity Articulator / Partial Articulator /
Flask / Laboratory Calipers / Parallel Meter

Orthodontics 232

Orthodontic Pliers EVER /
Convertible Cap Removing Pliers /
Tying Pliers / Band Seater

Other Chair-side Products 233

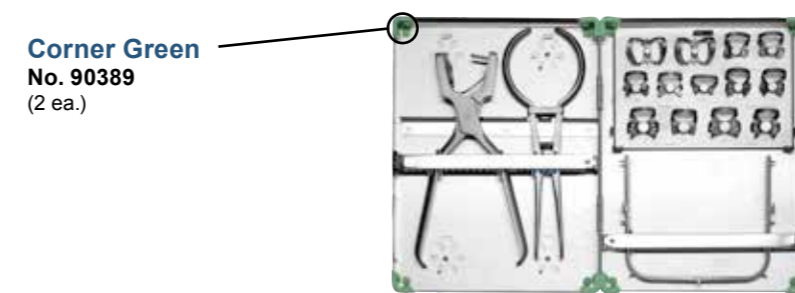
Almighty Mouth Gag / Photographic Mirror /
One-Touch Cotton Box / Phial Stand One-Touch /
Sterilization Cassette / Sterilization Case / Bur Pot



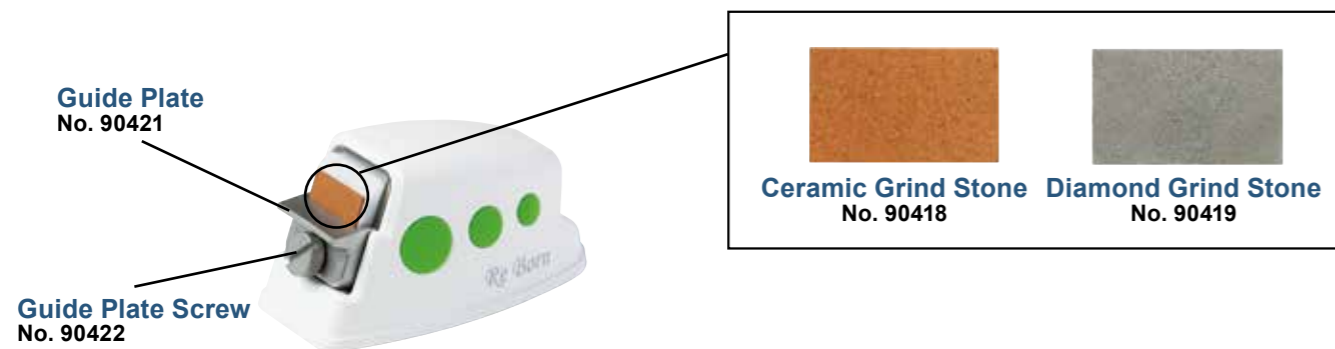
Temporary Filling Carrier



Rubber Dam Kit Type-2

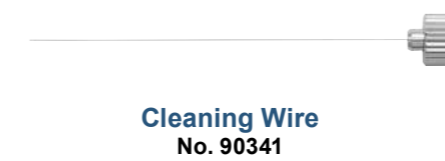


Sharpener Re Born



Endodontic Aspirator Type-2

-Str. / Cvd.-



Composite Syringe Type-2

-L / S-

Adaptor
L : No. 90370 *Adaptor L and S have the compatibility.
S : No. 90371

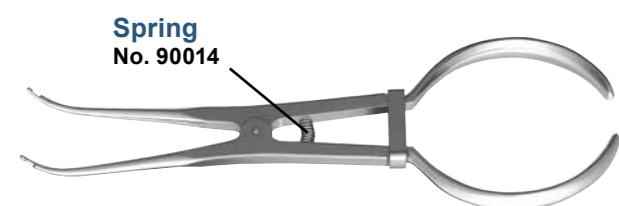


Fiber Cutter Type2



Clamp Forceps

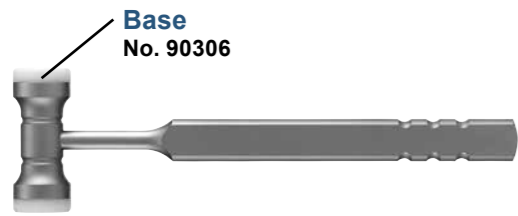
-YS-





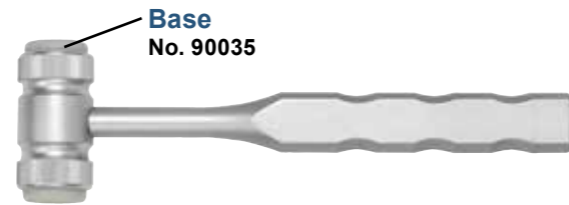
Mallet

-Universal-



Base
No. 90306

-Soft-



Base
No. 90035

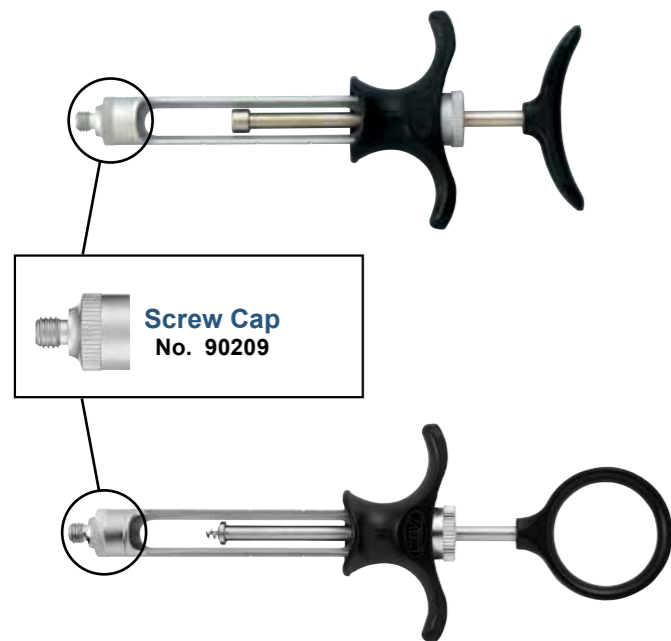
-Hard-



Base
No. 90385

Injection Cartridge Syringe Type-2

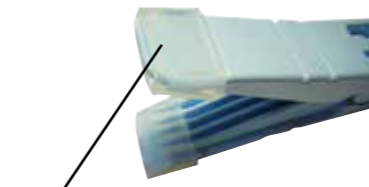
-A / B-



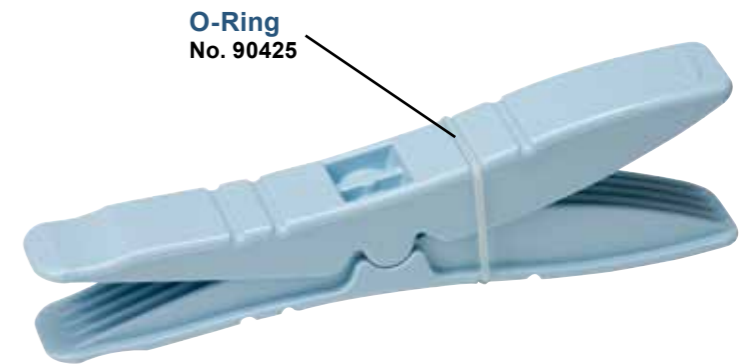
Screw Cap
No. 90209

Screw Cap R-Type
No. 27987

Jaw Opening Trainer



Silicon Cover
No. 90424
(2 ea.)



O-Ring
No. 90425

Bone Mill

-ex-2-

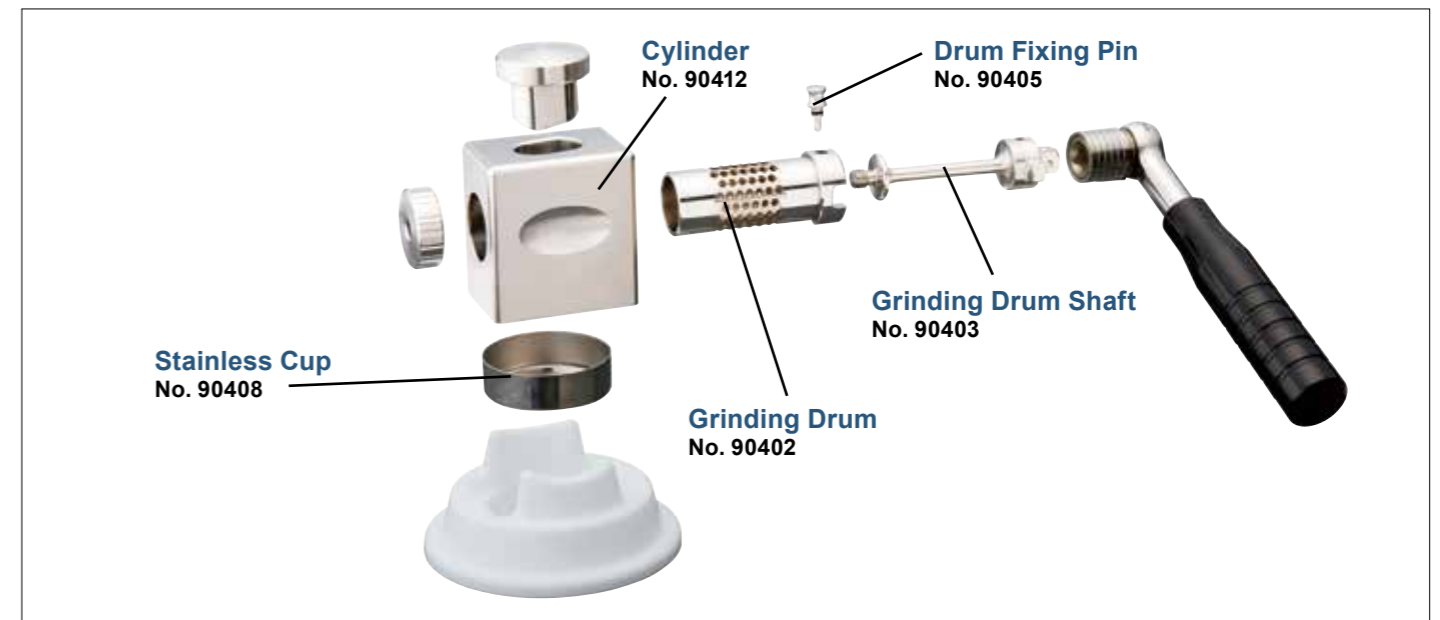


Sterilization Container
No. 90401

Lid in Container
No. 90411
(5 ea.)



Grinding Drum
Cleaning Comb
No. 90400



Stainless Cup
No. 90408

Cylinder
No. 90412

Drum Fixing Pin
No. 90405

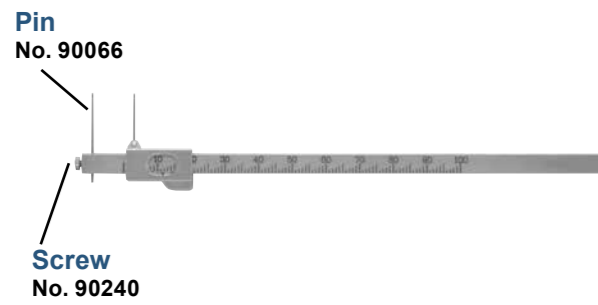
Grinding Drum Shaft
No. 90403

Grinding Drum
No. 90402





Parallel Meter



Crown Removing Pliers Professional for U.A

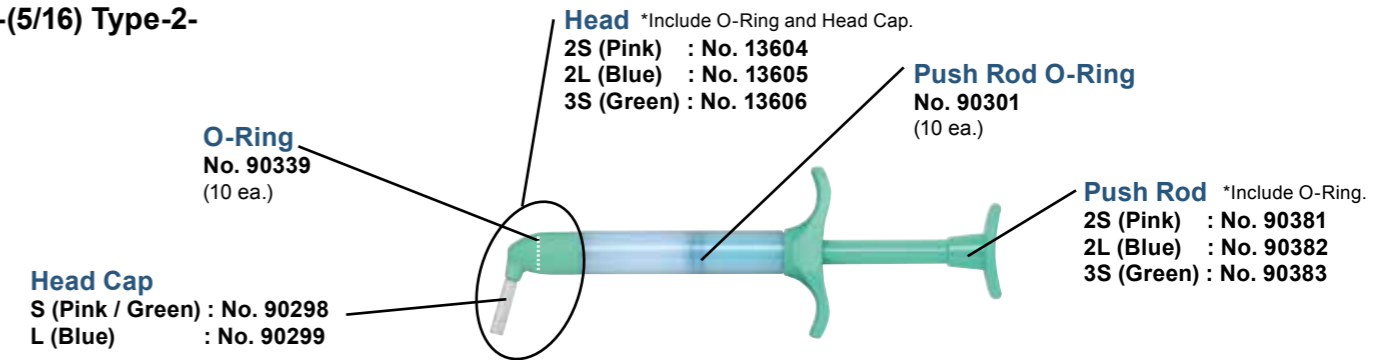


Crown Removing Pliers Professional

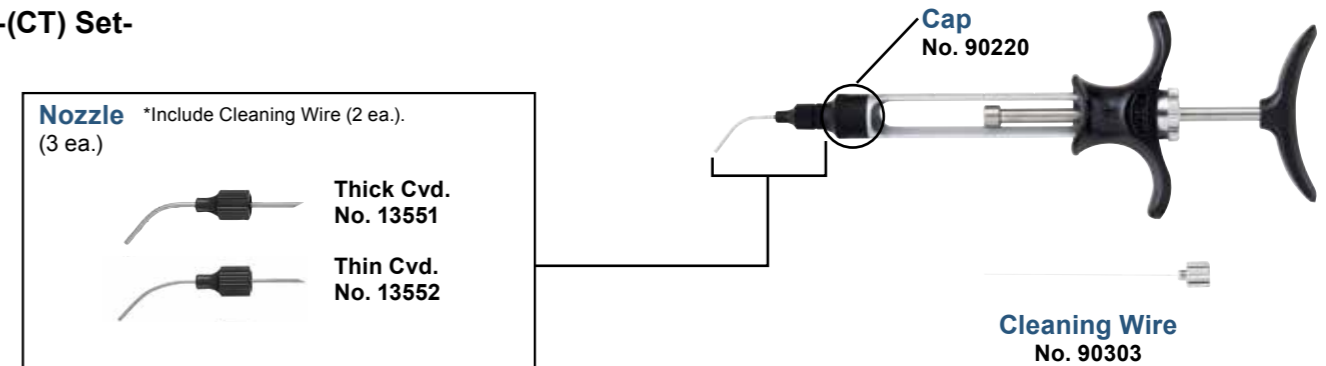


Agar Syringe

-(5/16) Type-2-



-(CT) Set-

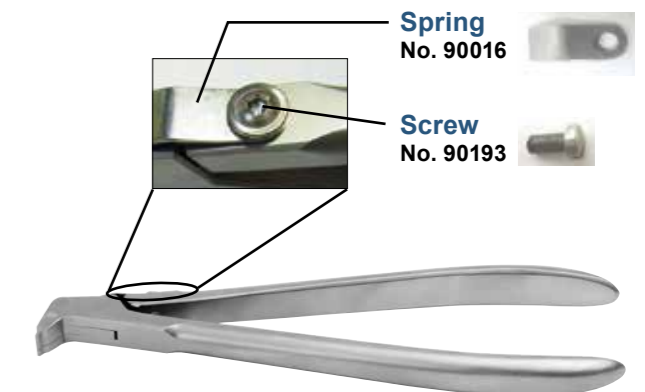


Contact Gauge

-Double End Holder Set / Single End Holder Set-



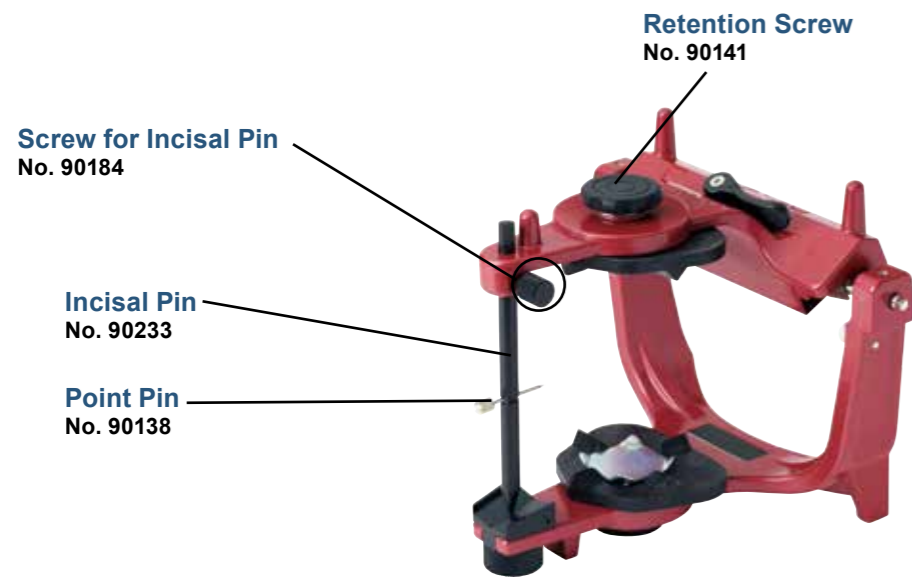
Crown Splitting Pliers





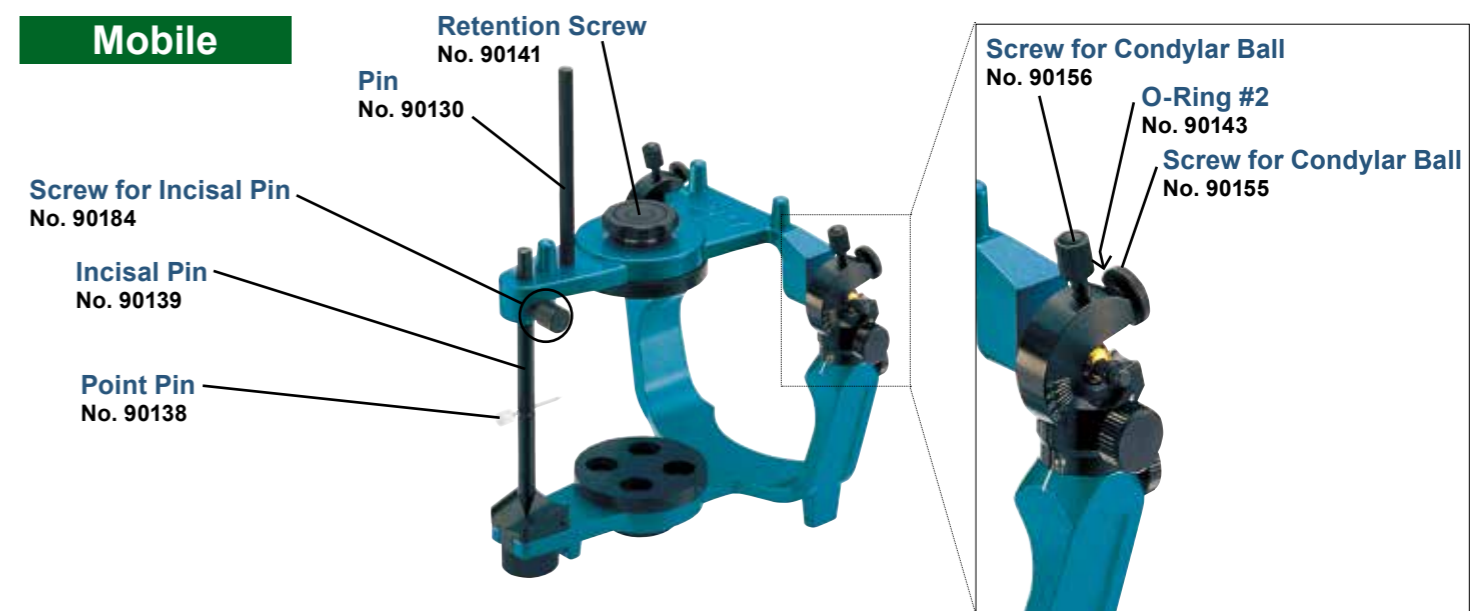
Spacy Articulator (Average Type)

Arcon

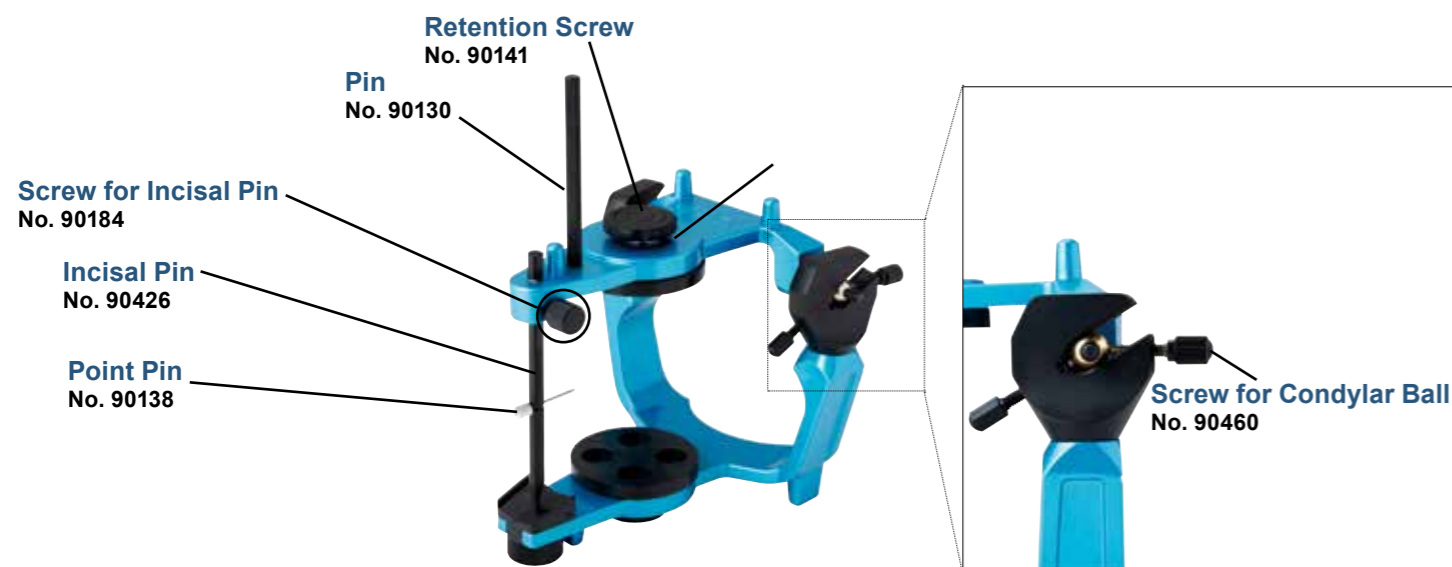


Spacy Articulator (Semi-Adjustable)

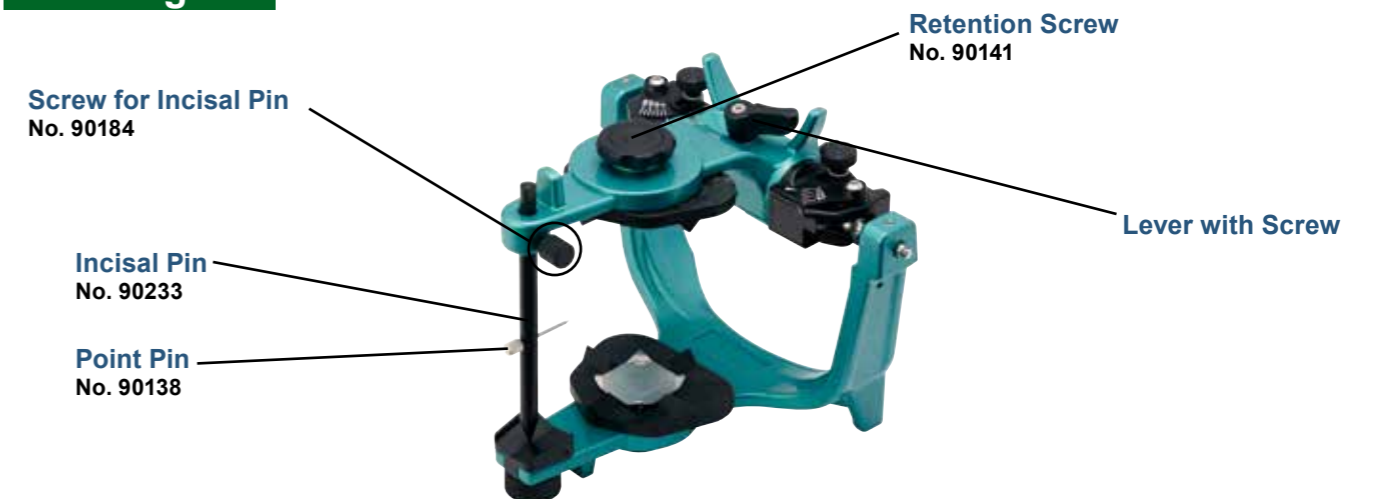
Mobile



Smart 2

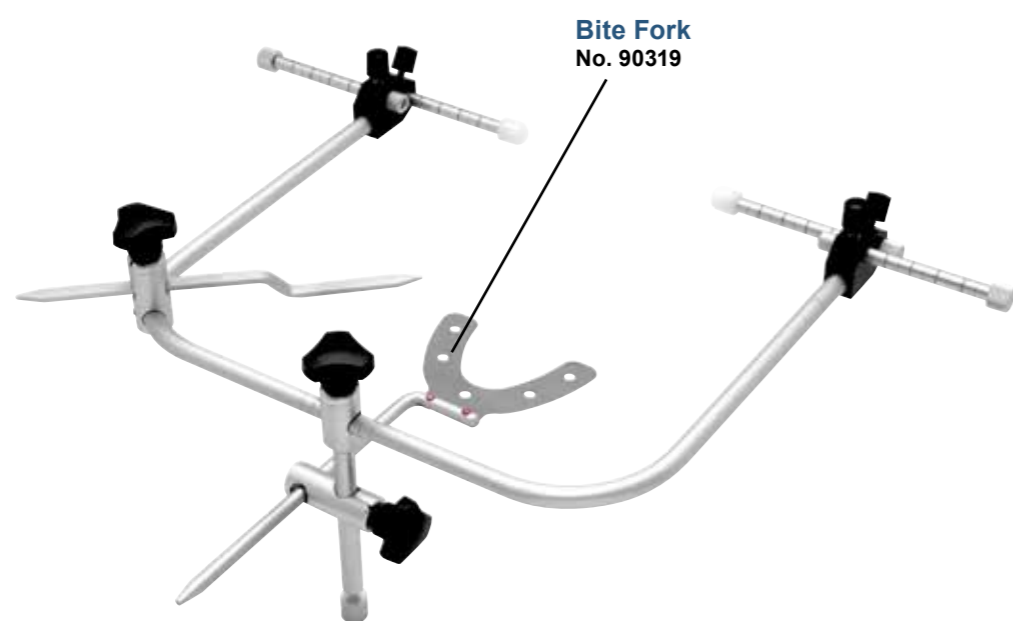


Wing



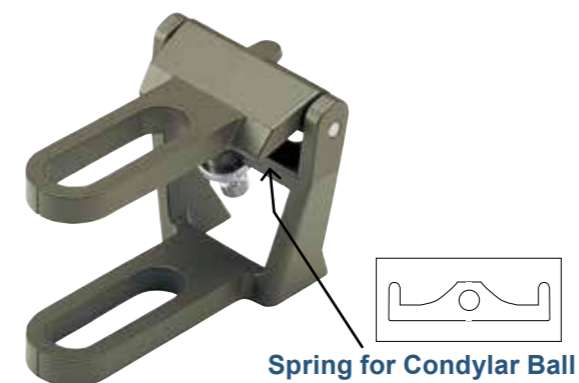


Face Bow Type-2

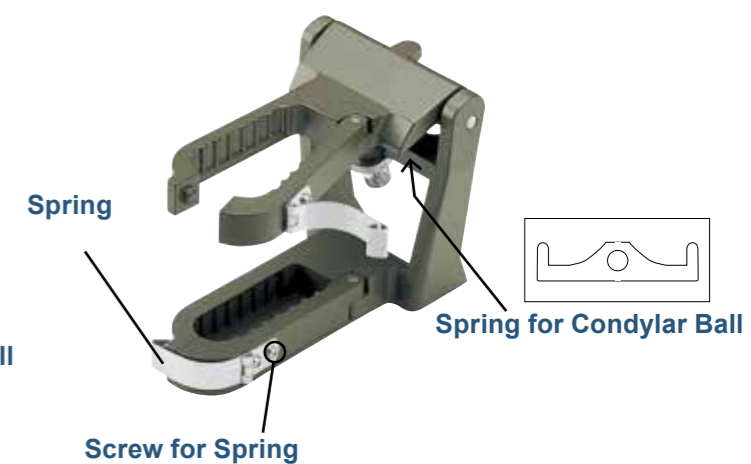


Partial Articulator

-A-



-B-



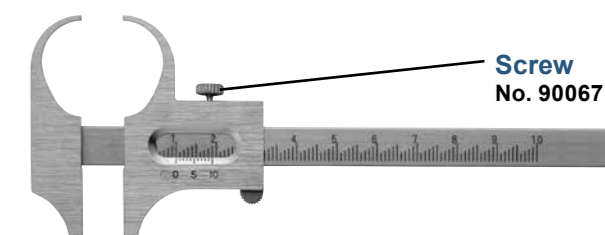
*Spring & Screw for Spring & pin to be repaired at YDM Corp.

Flask

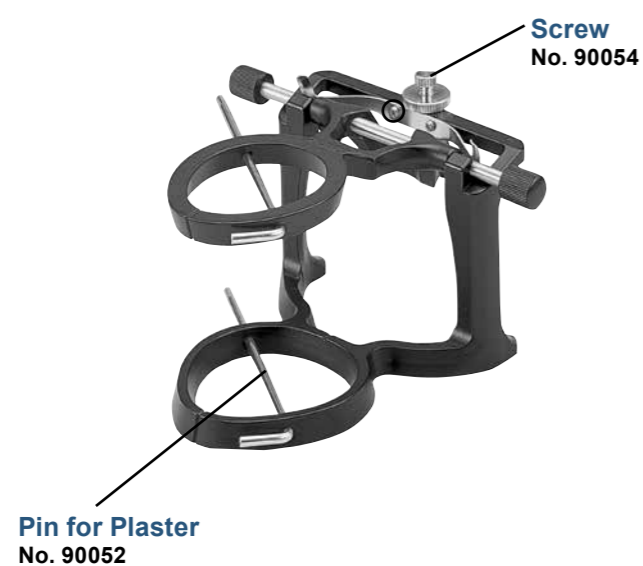
-Upper / Lower-



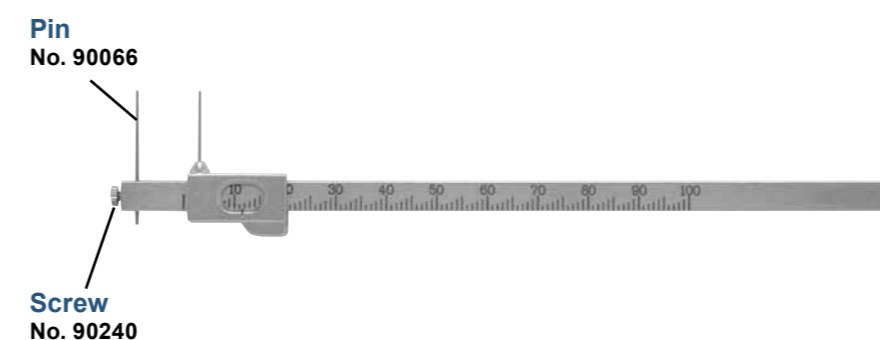
Laboratory Calipers



Unity Articulator



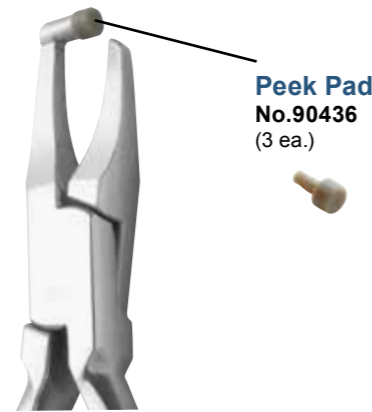
Parallel Meter





Orthodontic Pliers EVER

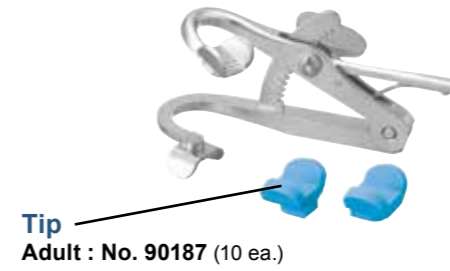
- Classic 412 / Fine 443 / Fine 460 -



Peek Pad
No.90436
(3 ea.)

Almighty Mouth Gag

-Adult / Child-



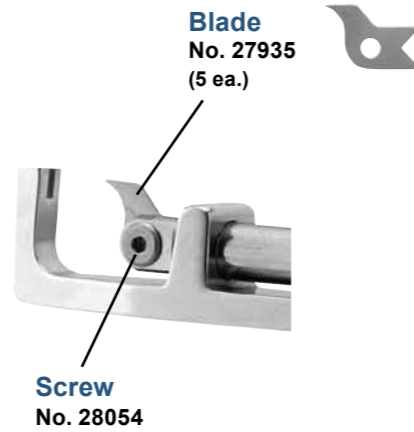
Tip
Adult : No. 90187 (10 ea.)



Tip
Child : No. 90189 (10 ea.)

Convertible Cap Removing Pliers

-ND-934-



Blade
No. 27935
(5 ea.)

Screw
No. 28054

Photographic Mirror



Sterilization Pouch L
No. 13270

Size / H250 x W85mm

suitable for

No.	Description
13261	ST Occlusal
13264	ST Occlusal Wide L
13266	ST Occlusal Wide LL
13274	SE Occlusal LL
13282	Crystal Occlusal L
13571	Occlusal
13576	Occlusal Wide L
13578	Occlusal Wide LL

One-Touch Cotton Box Type-2

-Alcohol-



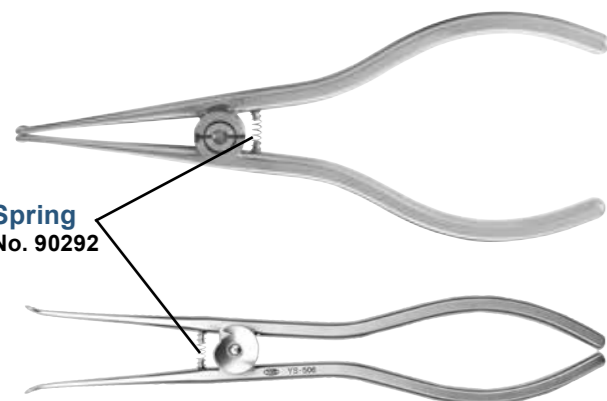
Hinge
S : No. 90347
L : No. 90348



*Not include Screw.

Tying Pliers

-YS-506 / YS-507-



Spring
No. 90292

Band Seater

-YS-703-



Tip
No. 90082

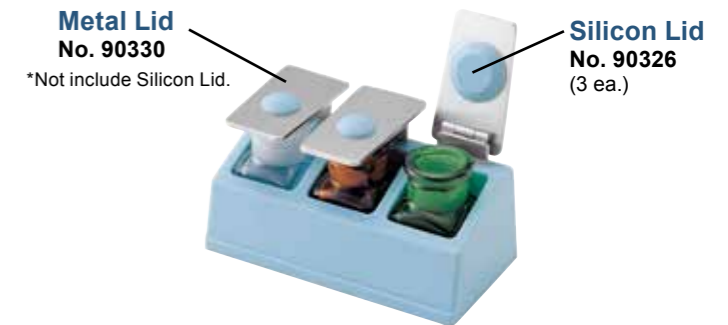
Sterilization Pouch
No. 13269

Size / H205 x W80mm

suitable for

No.	Description
13262	ST Lingual
13263	ST Buccal
13265	ST Occlusal Wide S
13271	SE Buccal & Lingual
13272	SE Occlusal L
13273	SE Occlusal M
13281	Crystal Buccal & Lingual
13283	Crystal Occlusal M
13572	Lingual
13573	Buccal
13577	Occlusal Wide S

Phial Stand One-Touch



Metal Lid
No. 90330

*Not include Silicon Lid.

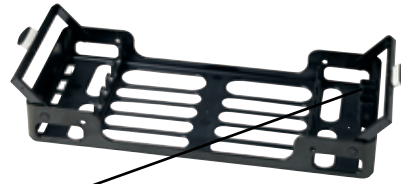
Silicon Lid
No. 90326
(3 ea.)





Sterilization Cassette

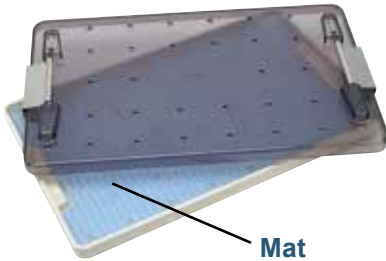
-Type-A / Type-B -



Single End Clip
No. 90340
(3 ea.)

Sterilization Case

-MS #1-



Mat
No. 90373

-S Green-



Corner
Green : No. 90389 (2 ea.)
Blue : No. 90390 (2 ea.)
Pink : No. 90391 (2 ea.)
Yellow : No. 90392 (2 ea.)

*Used for both Free S Green and Free M Green.

Bur Pot Set



Basket
No. 90331